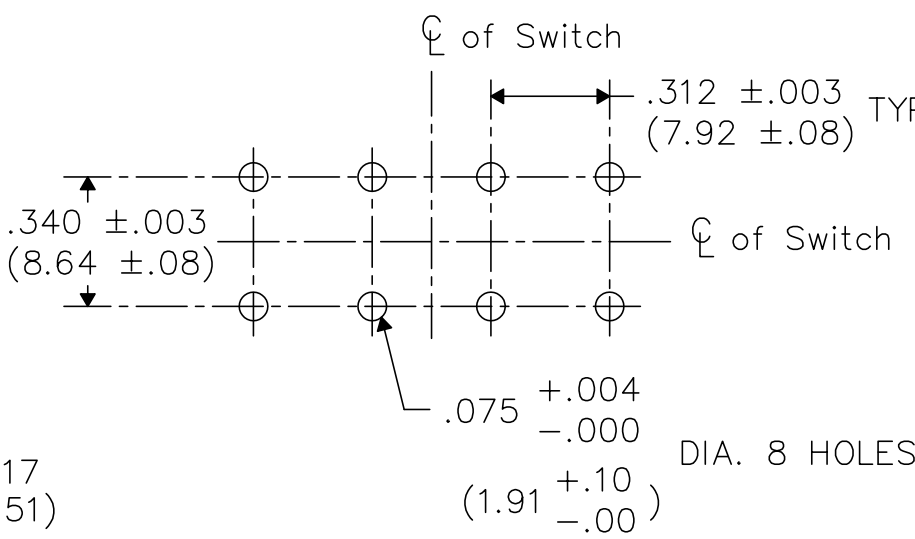


P.C. LAYOUT



E
D
C
B
A

1 2 3 4 5 6 7 8 9 10

B-FORMAT 2002	REVISIONS	0	
		RELEASED.	
		DGW 3-22-2004	
		MAY 03, 2004	

PDF File Made	CW INDUSTRIES Southampton, Pa. 18966	Title: SLIDE SWITCH ASSEMBLY D.P.- 3 POS.	
	TOLERANCES UNLESS OTHERWISE SPECIFIED		
	2 Place Decimal ±.010 3 Place Decimal ±.005 Angles ±1°		METRIC 1 Place Dec. ±.25mm 2 Place Dec. ±.13mm
	Made for: CW IND.		Division: SWITCH
Drawn by: DGW 3-22-2004	Dwg. No. G-628S-0022		
Checked by: 4-13-04			
Approval: BF 4-26-4			